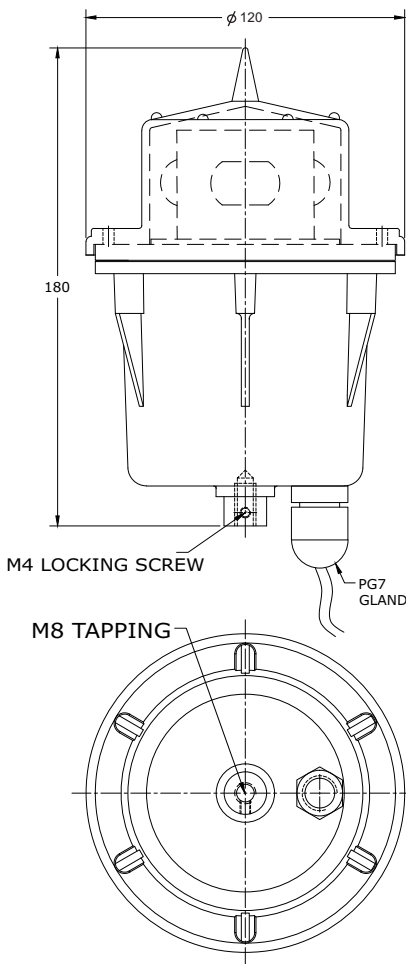


Light-Head with integrated power supply

- Omni directional low intensity light (10 cd).
- 4 optics with cover in hard polycarbonate and Powder-coated aluminum enclosure
- Simple installation
- LED drivers inside the Light-head with surge protections.
- Inbuilt Photocontroller

Electrical Characteristics	
Main voltage	230VAC +/-10% 50Hz /48 VDC
Average wattage	3 W (night mode)
Mechanical Characteristics	
IP degree	Ip65
Wiring	Entry through PG 7glands
Operating temperature	-20/+55°C
Size of the light	180mm (height) x 120mm (diameter)
Size of the power supply	Inbuilt in light head
Weight	1.0kg
Wire cross section	from 1 to 4 mm ²
Photometric Characteristics	
Effective light output day time at 0° on site	N/A
Effective light output twilight mode at 0° on site	N/A
Effective light output night mode at 0° on site	10 cd (red)
Color day/twilight time	N/A
Color night time	Red
Vertical beam spread	>10°
Horizontal beam spread	360°
Flash per minute	NA



Note - All units are in mm.

Note - This is GA drawing, dimensions may vary as per the final product.



31, Anandraj Industrial Estate.Sonapur Lane,
Bhandup (W) Mumbai Maharashtra 400078



62, Raja Industrial Estate 1st Floor, P. K. Road,
Mulund (W) Mumbai, Maharashtra 400080



+91 87798 25153, +91 81691 13218

+91 9372440178, +91 99871 60292



info@enlightpro.com, support@enlightpro.com